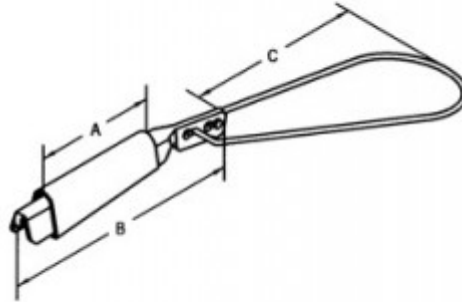
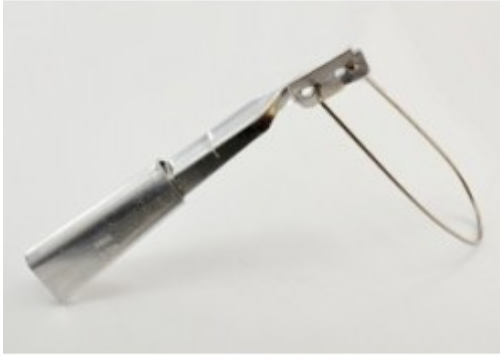


Wedge Grip

Reduce strain and sagging of overhead type ACSR Service Entrance Cable. Max load is 1000 lbs.

[Download Photo](#)[Download Drawing](#)

Product details

Catalog Number:	WGC-1
UPC Number:	781747028341
Primary Materials:	Aluminum Wedge and Shell, Stainless Steel Solid Bail
Trade Size:	6 - 4"
Unit Quantity:	25
Standard Package Quantity:	100

Dimensions

Trade Size:	6 - 4"
Dimensions A:	3
Dimensions B:	6
Dimensions C:	5-3/4

Certifications & Codes

UNSPSC: 39121725